



HIGH RECOVERY SOLID HEAD

IMPROVED RECOVERY AND SURFACE FINISH

- Increased log control and stability reduces problematic surging.
- Smooth cutting action in a large depth of cut.
- Increased head inertia enables head to easily cut through swelled butts.
- Fiber pull and knot tear significantly reduced due to optimal cant control and knife stability.

IMPROVED CHIP QUALITY

- Knife ridge consistently formulates a uniform chip and provides a smooth transition to the counterknife.
- Open and unobstructed chip channel significantly improves chip flow, ensuring the highest level of chip quality is achieved.

INCREASED OPERATING EFFICIENCY AND SAFETY

- Quick and easy knife changes.
- Long lasting Ridge XL knife can be resharpened.
- Minimal maintenance achieved through fixed knife positioning and use of Ridge XL knife.



EXPANDED FACEPLATE/LIMITING SURFACE

Provides superior log control, minimizing surging and reducing step cutting on entry.

SMOOTH & OPEN CHIP CHANNEL

Improves chip quality by providing chips an unobstructed path to exit the system.

THICK FACEPLATE

Acts as heat sink, preventing warpage, and prolonging part life.

FIXED KNIVES

Knives are fixed to ensure a repeatable cut, and to reduce maintenance.

SPLIT KNIFE CONFIGURATION

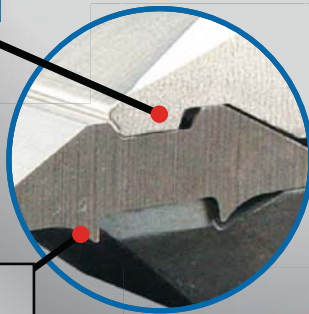
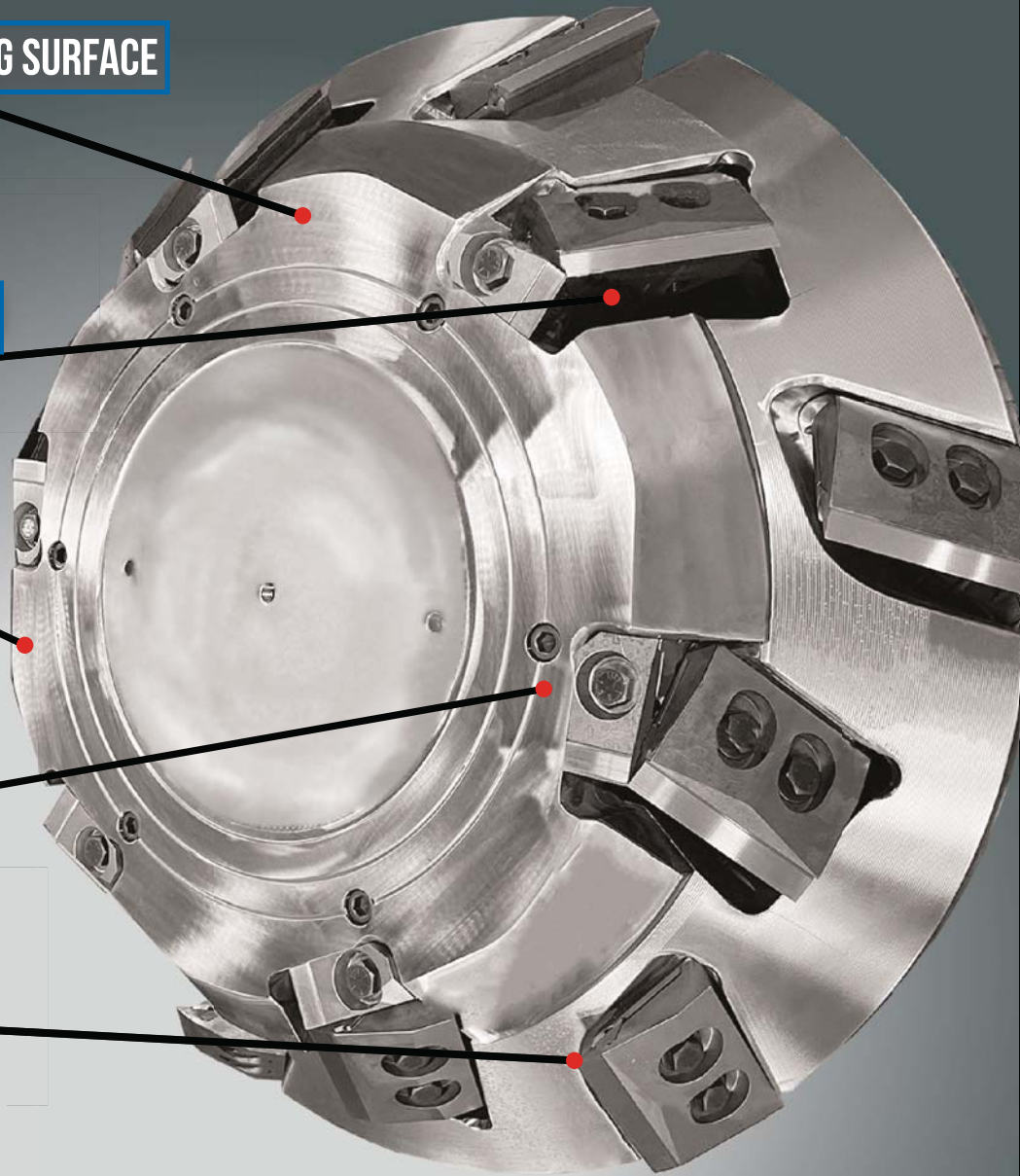
Smooth cutting.
Up to 7" depth of cut.

5 POINT KNIFE CLAMPING

Significantly improves knife stability, for a precise and repeatable cutting path.

KNIFE RIDGE

Provides smooth chip transition from knife tip to counterknife, greatly improving chip quality.



Small head diameters available for small log processors and edgers.



E-mail: kk@keyknife.com
website: www.keyknife.com

Western US

(P) : (503) 403-2000
(F) : (503) 691-2240

Northern US

(P) : (250) 567-2447
(F) : (250) 567-2468

Southern US

(P) : (800) 280-0033
(F) : (843) 397-7787

Western Canada

(P) : (250) 567-2447
(F) : (250) 567-2468

Eastern Canada

(P) : (800) 989-3739
(F) : (450) 438-5757

Europe

(P) : +43-7675-3220
(F) : +43-7675-3584